

FIG. 1

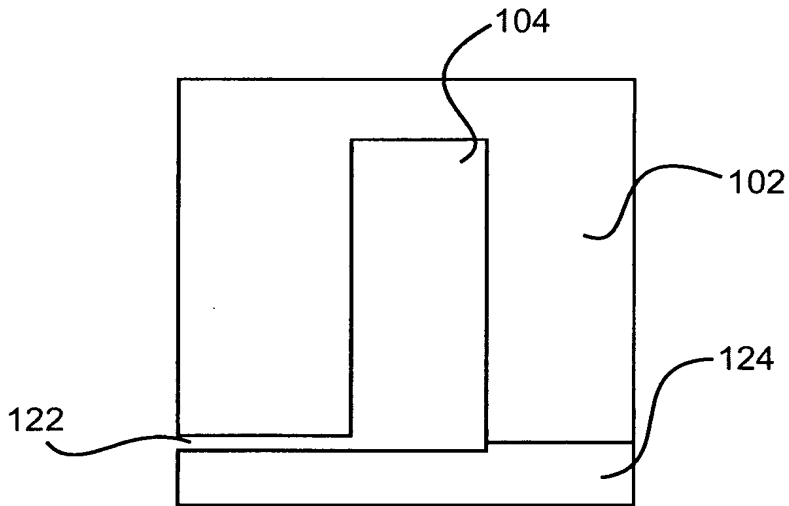


FIG. 2A

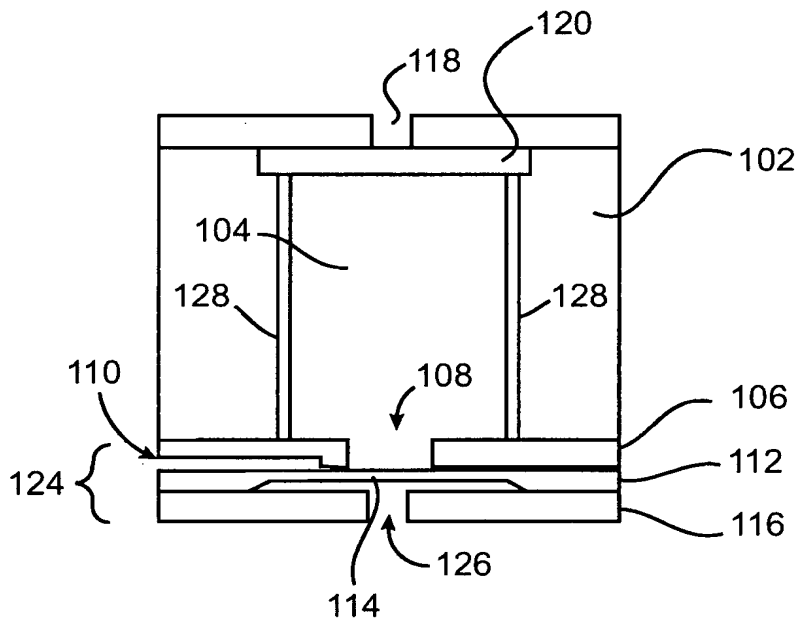


FIG. 2B

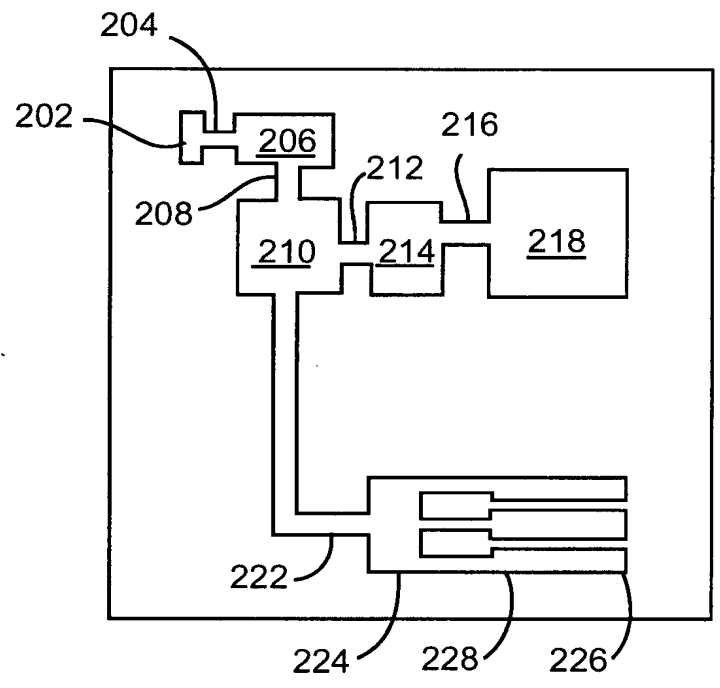
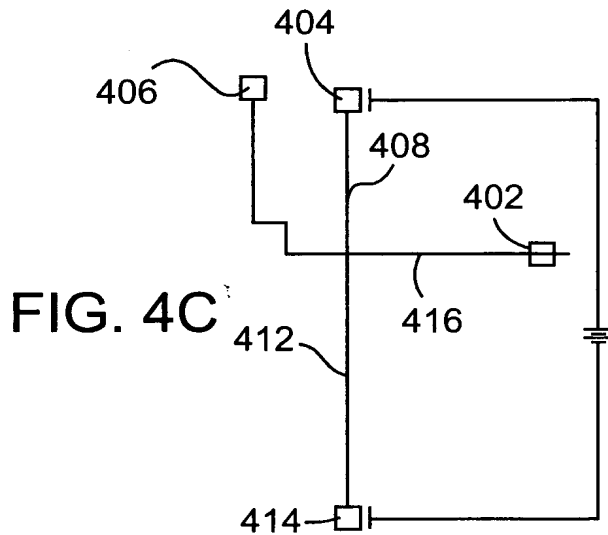
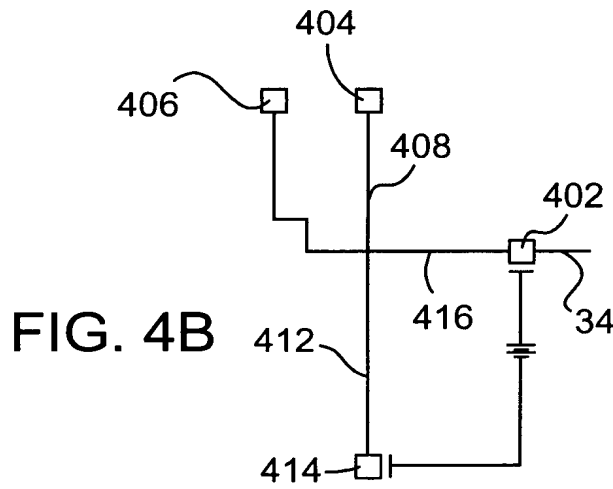
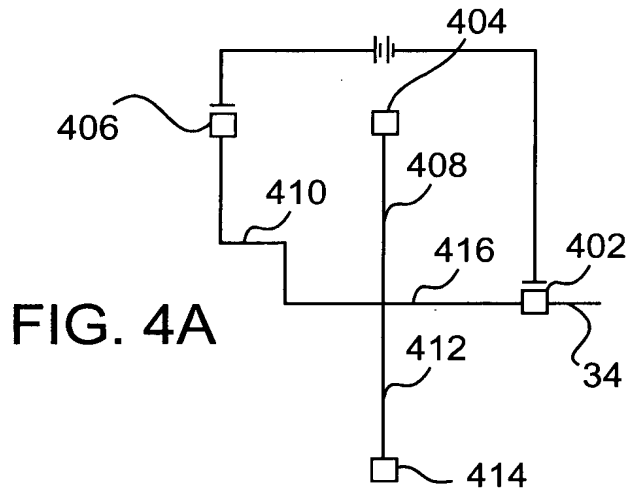


FIG. 3



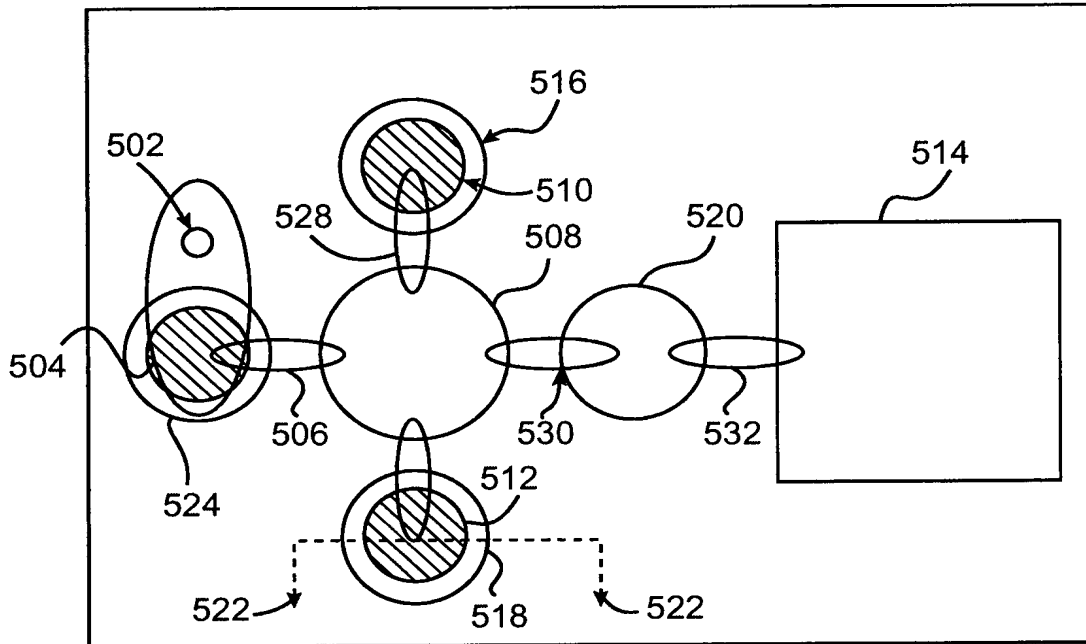


FIG. 5A

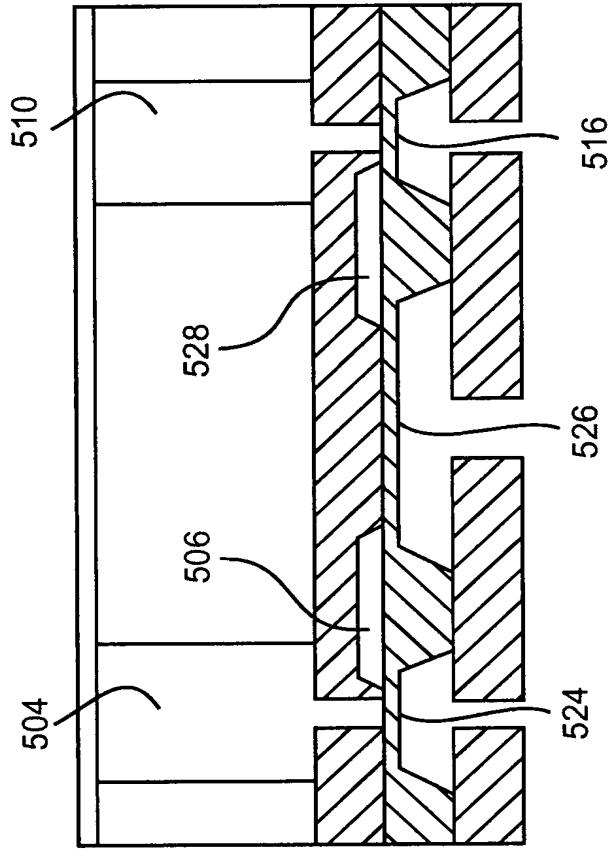
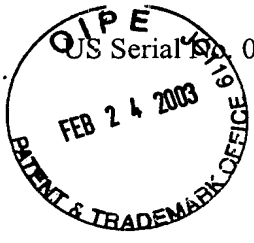


FIG. 5B

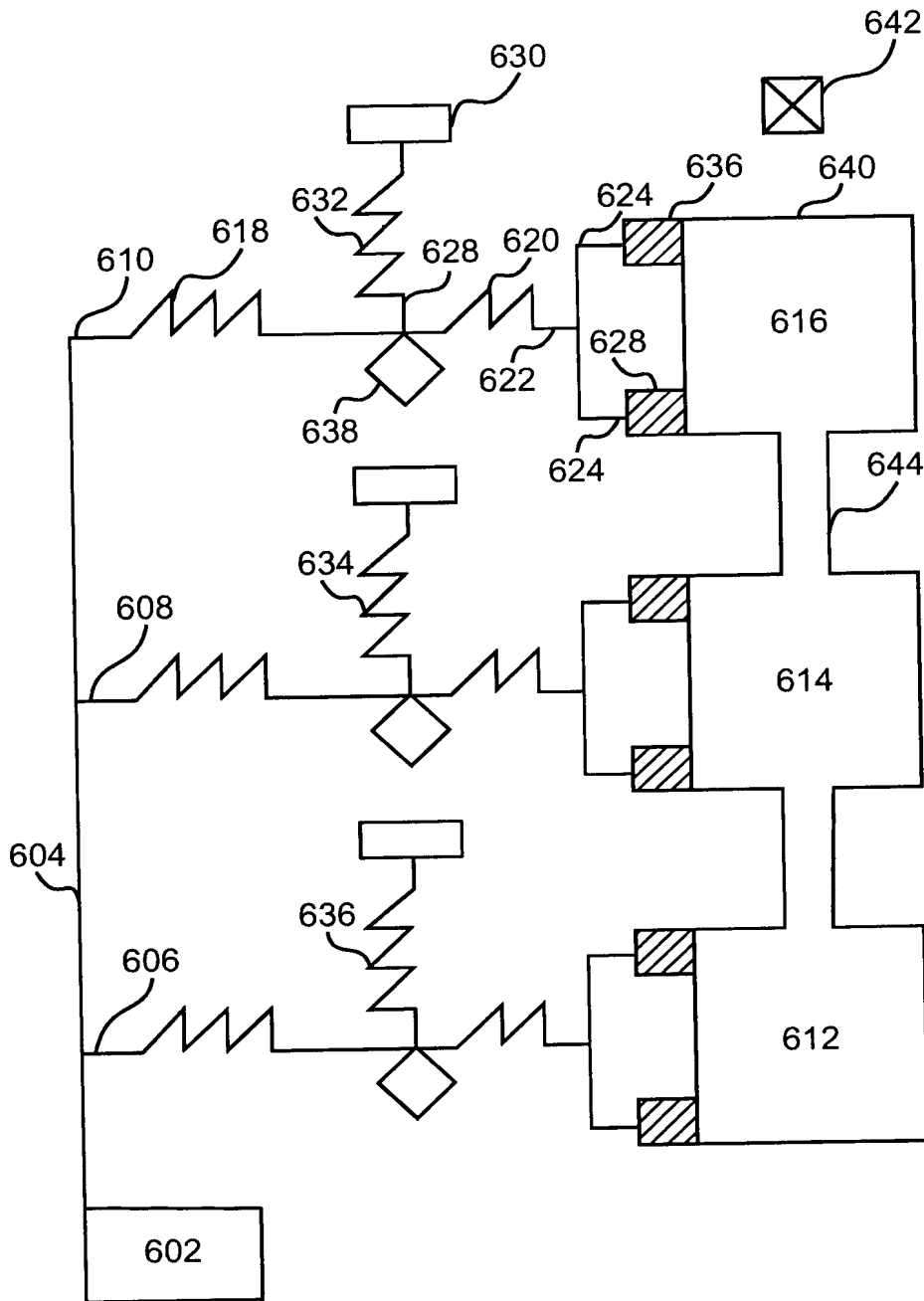


FIG. 6A

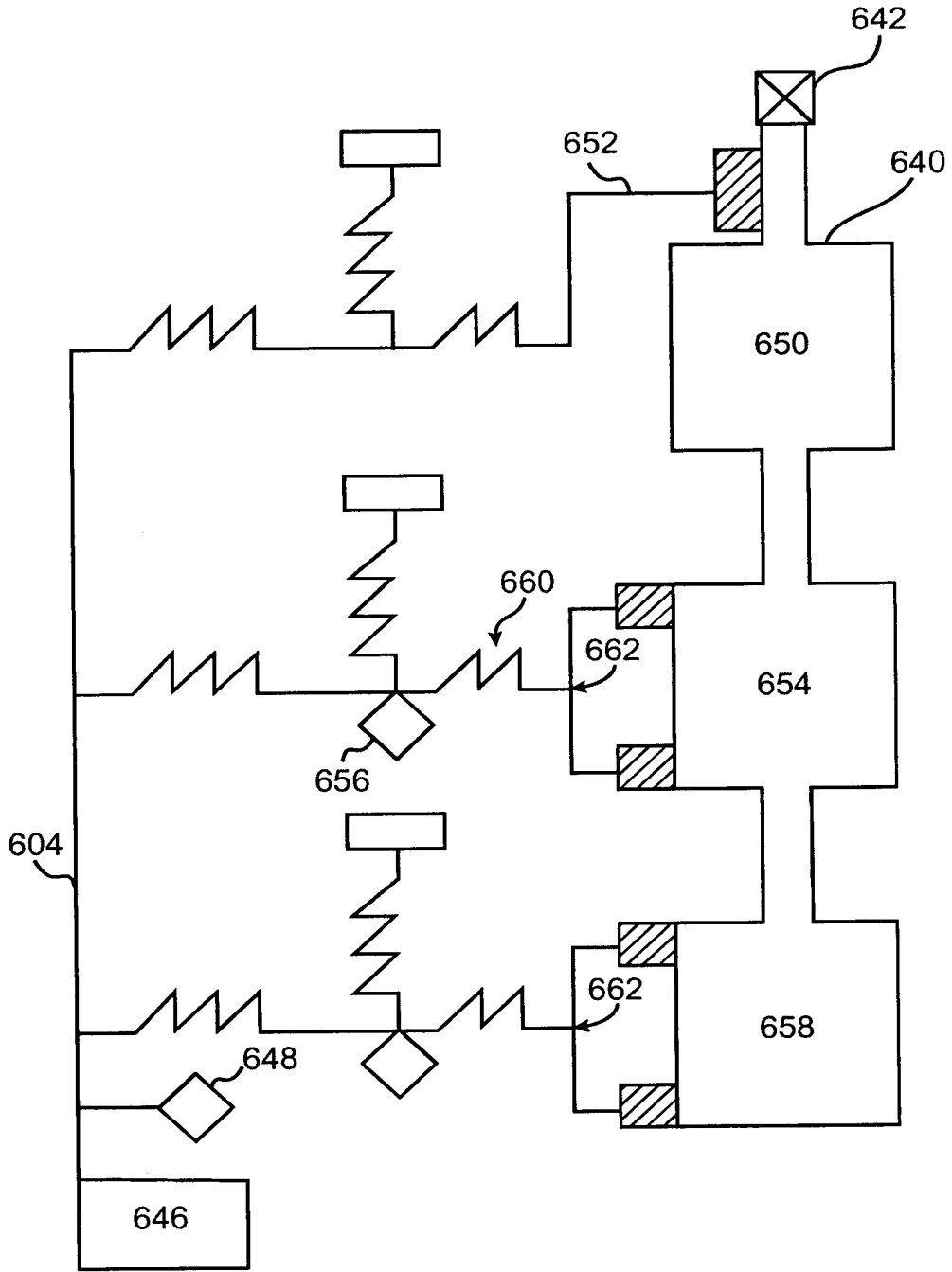
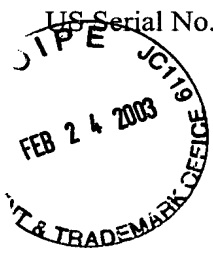


FIG. 6B



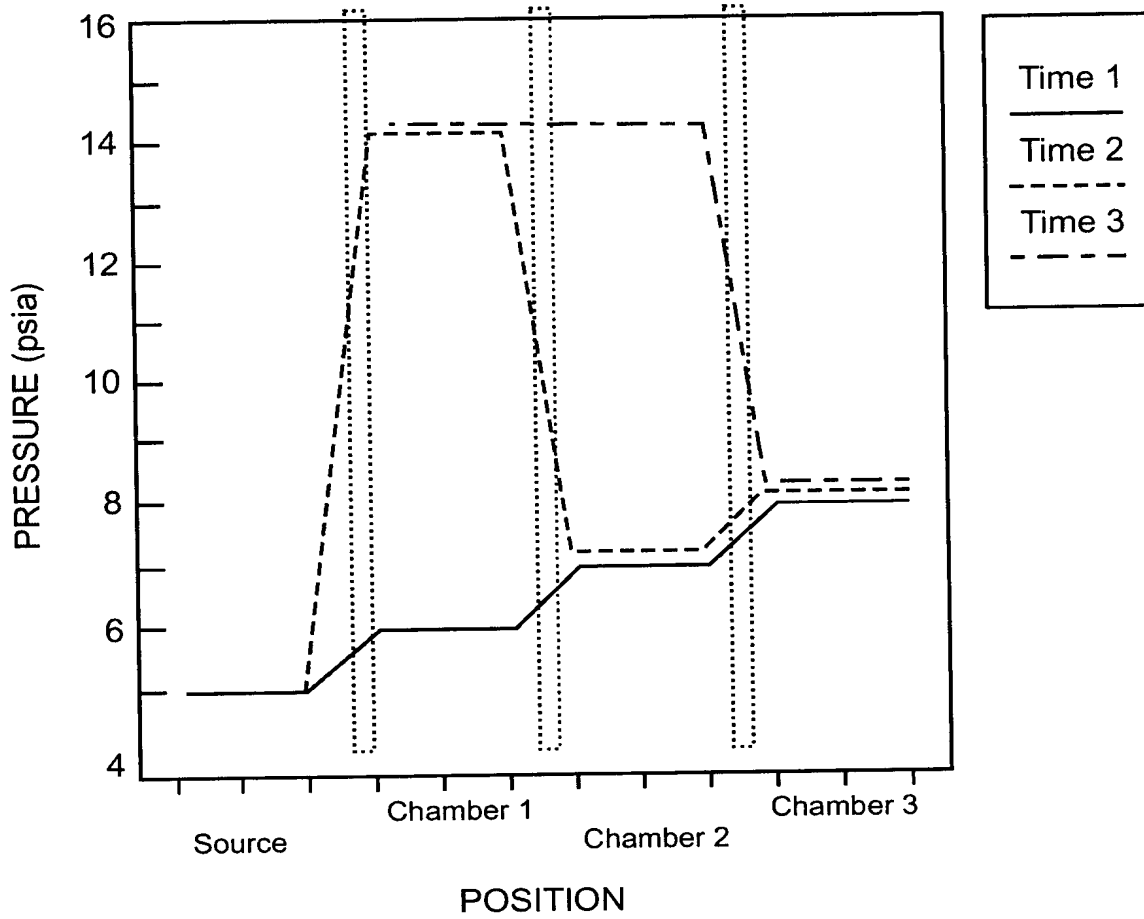


FIG. 6C

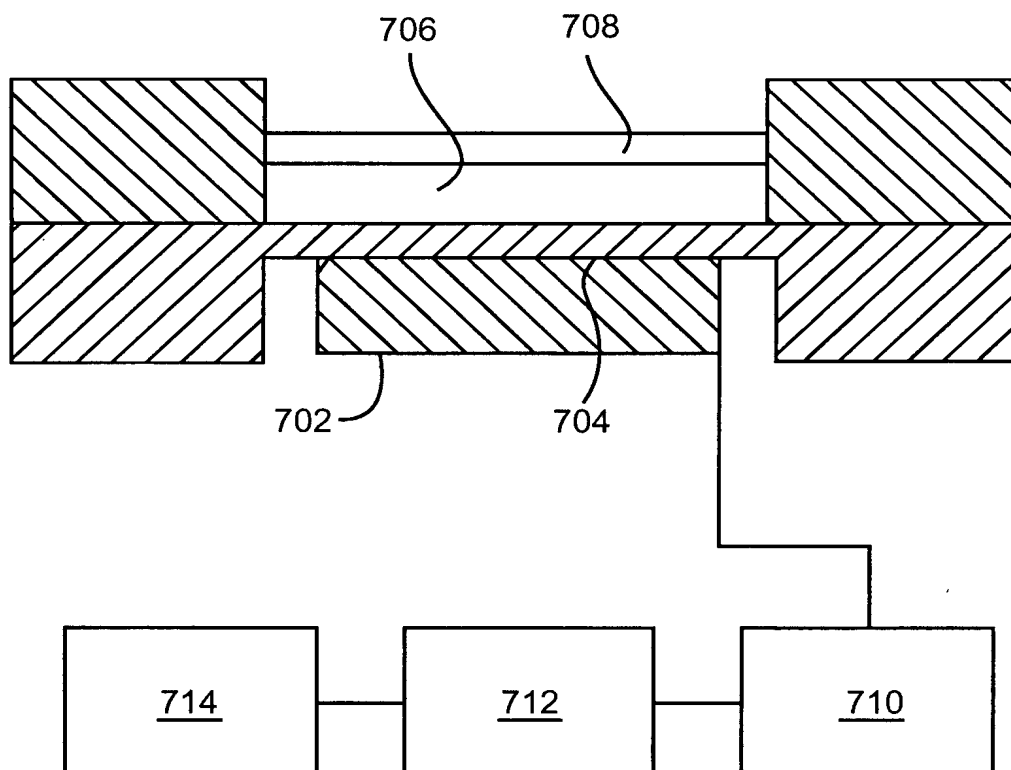


FIG. 7A

Flow Visualization

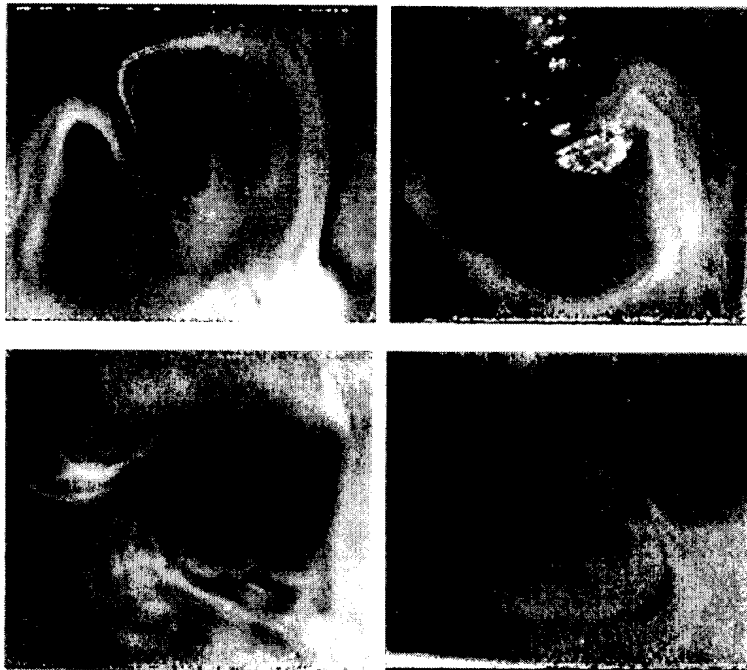
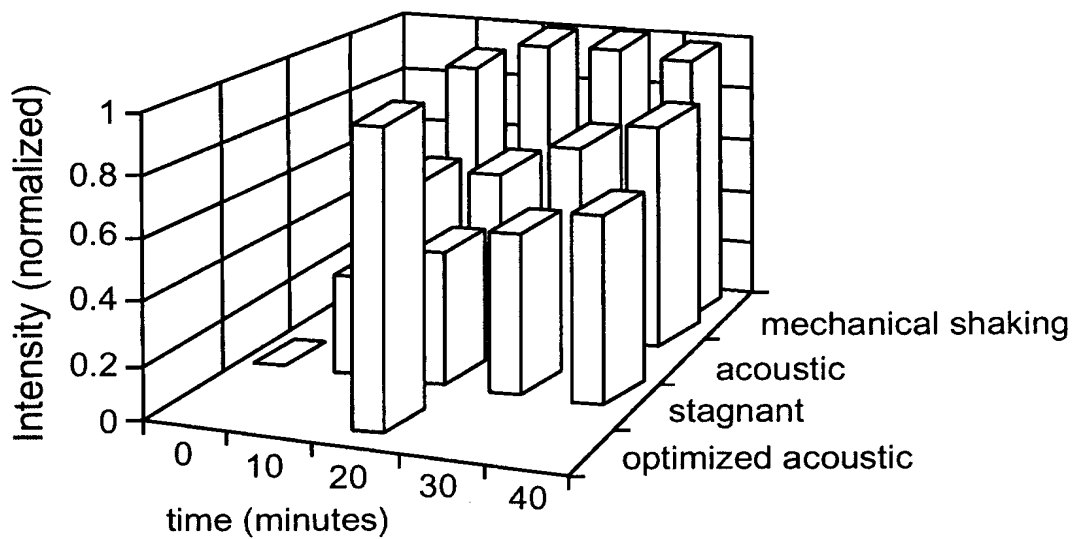


FIG. 7B



Checkboard Oligo Test Pattern

FIG. 7C

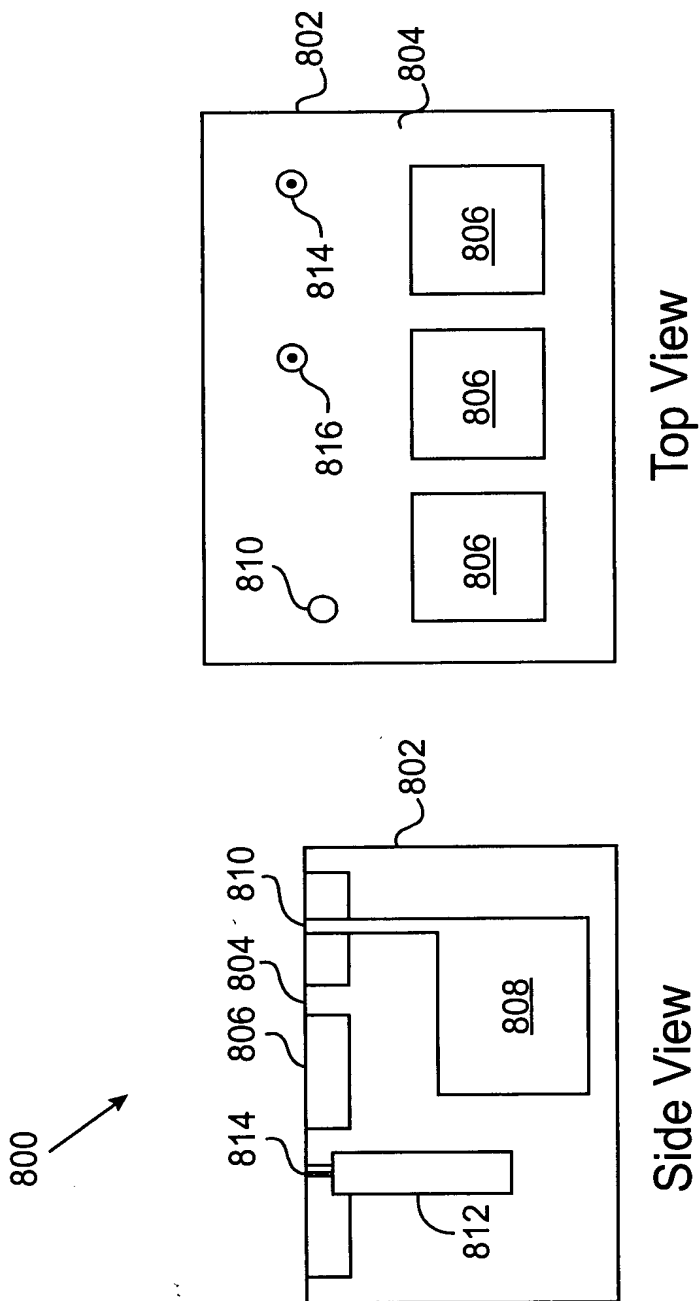


FIG. 8



Cycles	35	Ini Den	94.0	Den	94.0	Ann	65.0	Fin Ext	72.0	Hold	10.0
Temp	94.0	Time(s)	60	Temp Hem	40	St. Time [Min]	85.4	Temp Hem	50	Temp Hem	0
Cyc Hem	19	Temp Hem	0	Temp Hem	0	Temp Hem	42	Temp Hem	0	Temp Hem	0
Tue, Nov. 14, 1995											
11:31 AM											

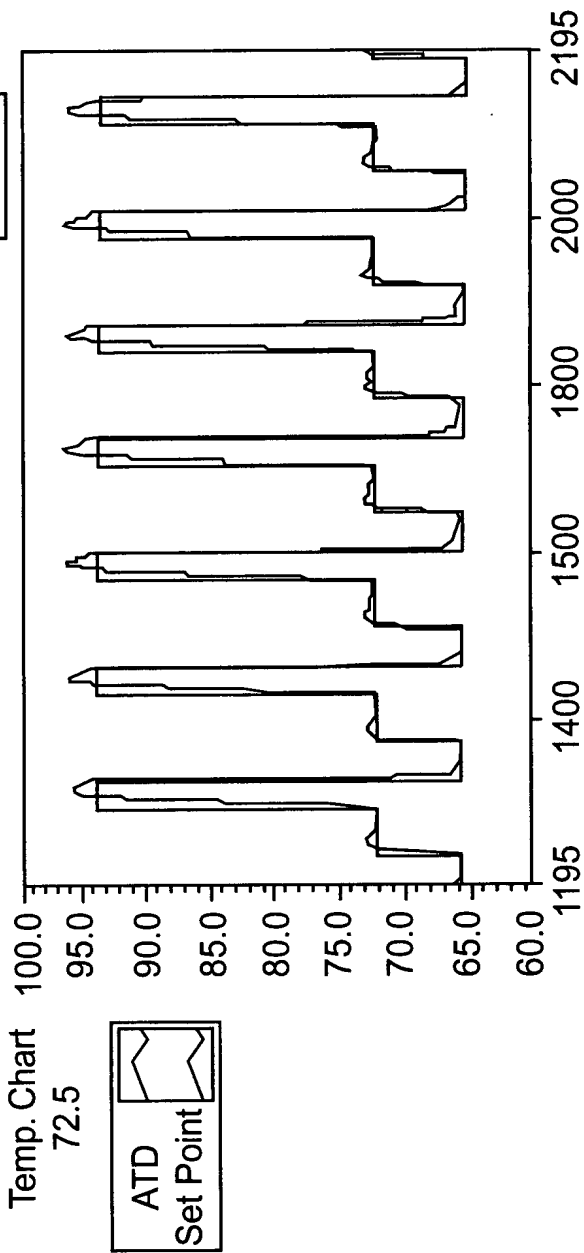


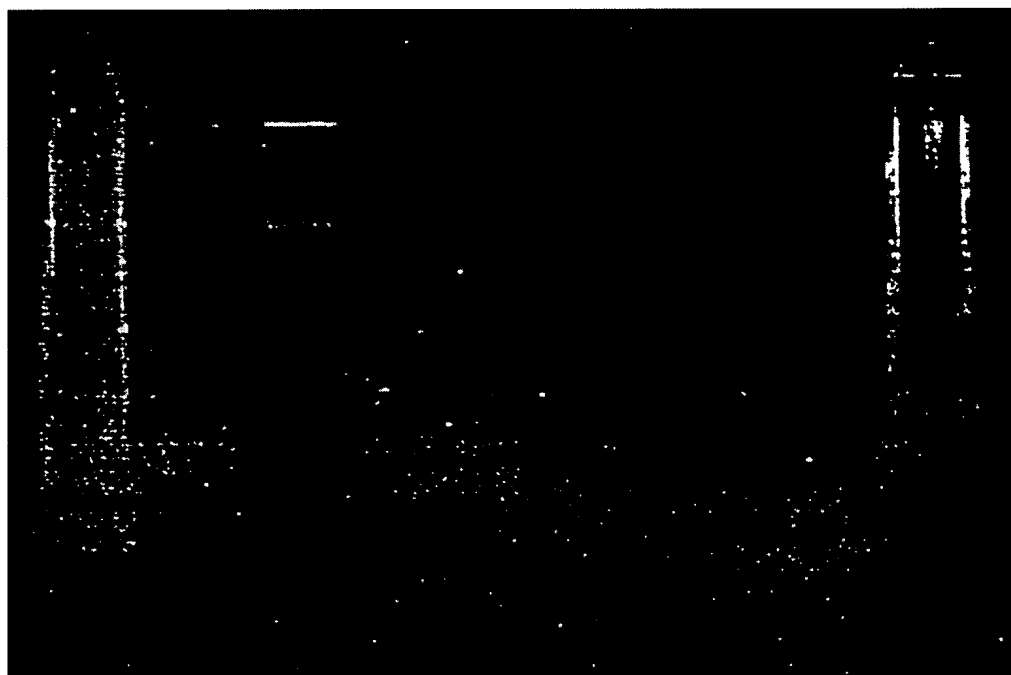
FIG. 9





Effect of Fragmentation Time at 94C

t = 0 5 10 30 60 120 minutes



Correct Call Rates:

74%	95.8%	95.9%
95.9%	95.5%	83%

FIG. 10A

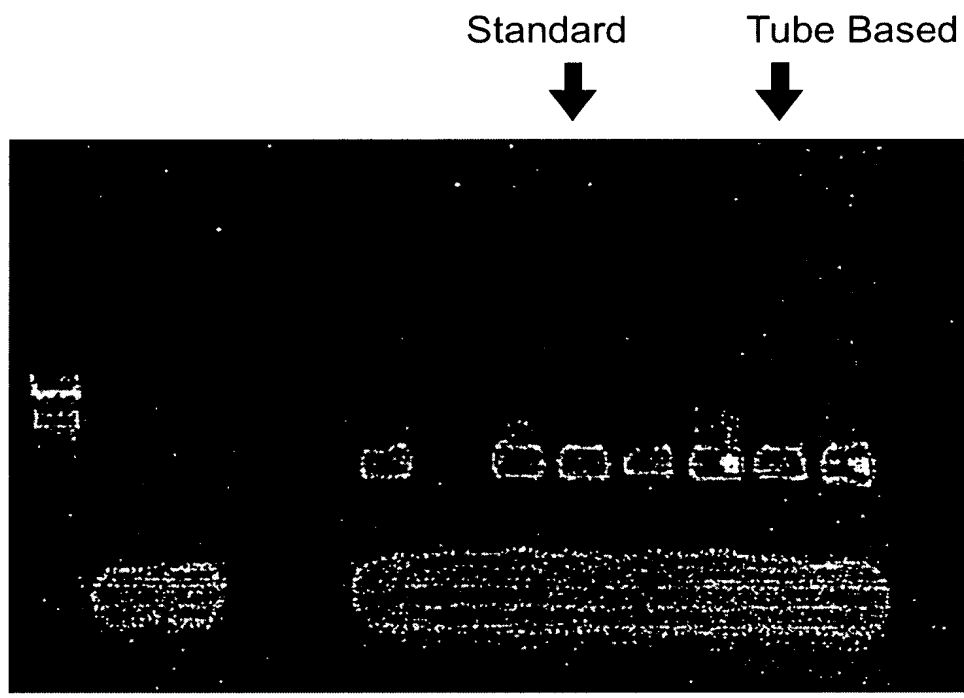


FIG. 10B





■ PCR PCR Results

amplification:  $10^9$  (35 cycles)

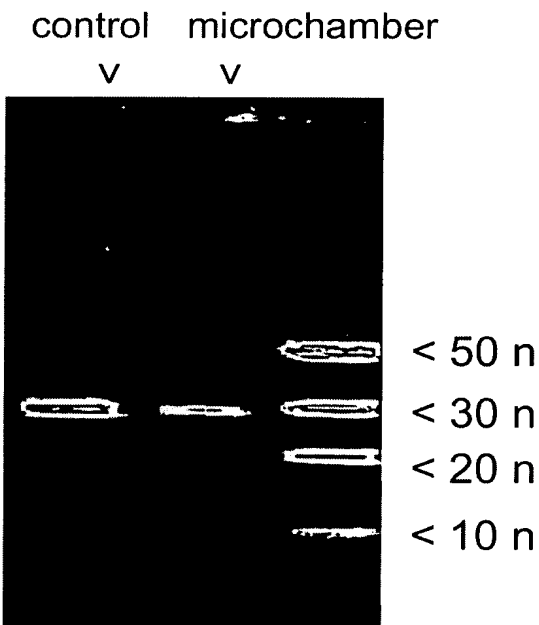


FIG. 10C